

SY3-S Data Sheet

Type 3 SPD

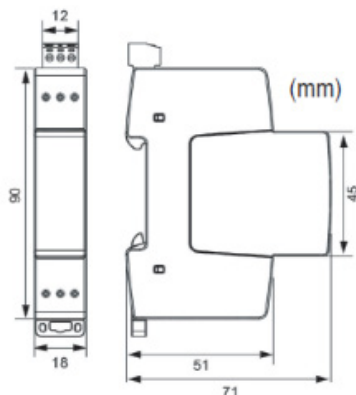
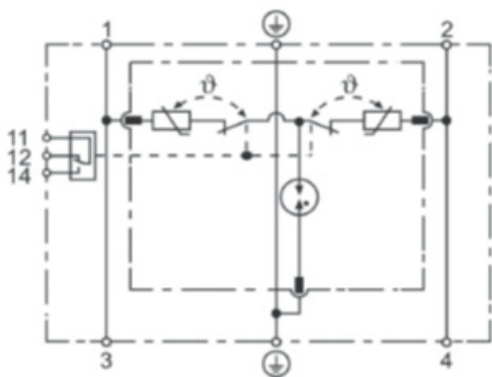
SURGE
PROTECTION DEVICES
LTD



- Compliant to BS EN 61643-11
- Designed for 230V installations
- Series installation, maximum 25A
- Window indication
- Remote changeover contacts as standard
- Din rail mountable



SCAN THE QR CODE FOR THE
**INSTALLATION
INSTRUCTIONS**



Technical Data	SY3-S
Nominal AC Voltage - U_n	230V
Maximum Continuous Voltage - U_c	255V
Nominal Discharge Current 8/20 μ s - I_n	3kA
Combined Impulse - U_{oc}	6kV
Voltage Protection Level - U_p	$\leq 1.25kV$
Short Circuit Withstand Capacity - I_{SCCR}	10kA
Response Time - t_a	$\leq 25ns$
Operating Temperature	-40°C to +80°C
Dimensions	1 Module
Backup Fuse	25A Maximum
Indication of Status	Window & Remote
Classification According to BS EN 61643-11	Type 3

01484 851747

● info@surgedevelopments.co.uk ●

