

SP48 Data Sheet

20mA Data Signal SPD

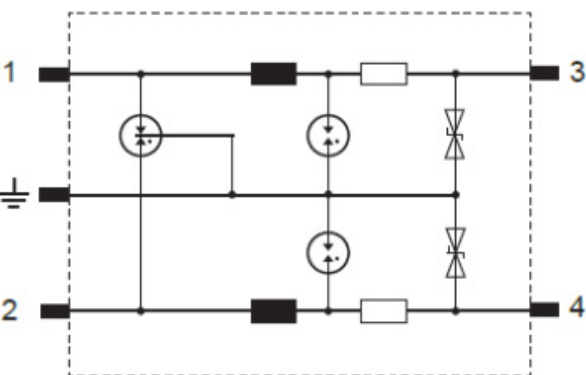
SURGE
PROTECTION DEVICES
LTD



- Compliant to BS EN 61643-21
- Suitable for 2 pair data signals
- Slim space-saving design
- Pluggable replacement modules
- Combined lightning and surge protection
- Din rail mountable, with integrated earthing
- Extremely low let through voltage
- Maximum cable size 2.5mm



SCAN THE QR CODE FOR THE
**INSTALLATION
INSTRUCTIONS**



Technical Data	SP48
Nominal Voltage - U_n	48V
Nominal Current - I_n	1A
Lightning Impulse Current 10/350 μ s - I_{imp}	4kA Per Line 10kA Total
Nominal Discharge Current 8/20 μ s - I_n	10kA Per Line 20kA Total
Voltage Protection Level - U_p	$\leq 150V$ L-L $\leq 90V$ L-PE
Response Time - t_r	$\leq 1ns$
Bandwidth - f_b	8.5MHz
Series Impedance Per Line - R	2.2 Ω
Capacitance - C	$\leq 0.3nF$ L-L $\leq 0.6nF$ L-PE
Cross-sectional Area	2.5mm Max
Operating Temperature	-40°C to +80°C
Mounting On	35mm DIN rail