

HS50-50 Data Sheet

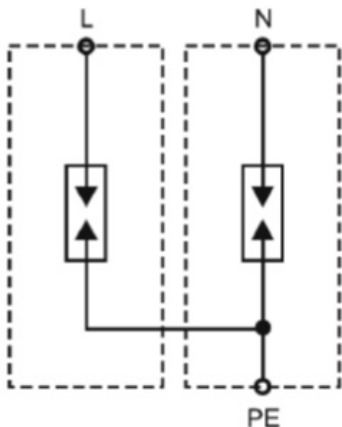
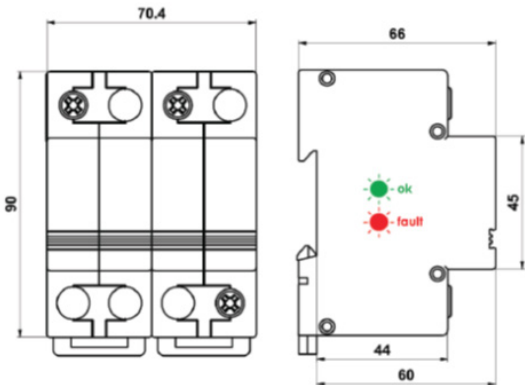
100kA per pole Type 1&2 SPD

SURGE
PROTECTION DEVICES
LTD



- Compliant to BS EN 61643-11
- Suitable for TNC-S and TN-S installations
- 100kA per pole design
- LED indication
- Din rail mountable
- Recommended backup fuse / MCB 63A
- Recommended cable size minimum 16mm

SCAN THE QR CODE FOR THE
**INSTALLATION
INSTRUCTIONS**



Technical Data	HS50-50
Maximum Continuous Voltage - U_c	255V
Lightning Impulse Current 10/350 μ s - I_{imp}	50kA
Total Lightning Impulse Current 10/350 μ s - I_{Total}	100kA
Nominal Discharge Current 8/20 μ s - I_n	50kA
Maximum Discharge Current 8/20 μ s - I_{max}	100kA
Voltage Protection Level - U_p	$\le 1.3kV$
Response Time - t_a	$\le 25ns$
Tightening Torque	3Nm
Operating Temperature	-40°C to +80°C
Mounting On	35mm DIN rail
Indication of Status	LED
Classification According to BS EN 61643-11	Type 1&2