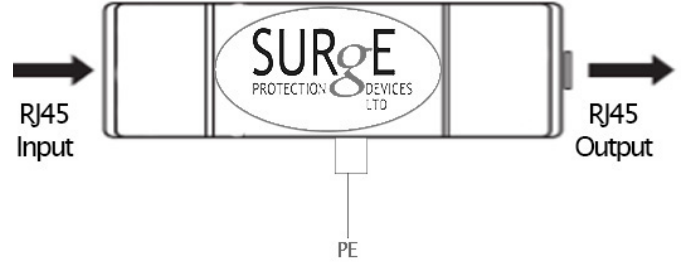


DTB2/ART Data Sheet

BT Phone Line SPD

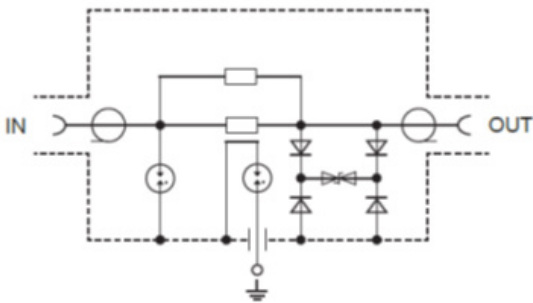
SURge
PROTECTION DEVICES LTD



- Combined category D, C & B to BS EN 61643-21
- Designed for the specific use on BT sockets
- RJ45 connection cables included as standard
- Wall Mountable
- Suitable for two protected pairs



SCAN THE QR CODE FOR THE
INSTALLATION INSTRUCTIONS



Technical Data	DTB2/ART
Nominal Voltage - U_n	170V
Maximum Continuous Voltage - U_c	204V
Nominal Discharge Current 8/20 μ s - I_n	1kA
Maximum Discharge Current 8/20 μ s - I_{max}	2kA
Voltage Protection Level - U_p @ I_n	$\leq 520V$
Response Time - t_A	$\leq 30ns$
Nominal Operating Current	100mA
Data Rate	10MBit/s
Series Impedance Per Line - R	1.5-10 Ω
Capacitance - C	1.5nF
Input/Output Connections	RJ45
Operating Temperature	-40°C to +80°C

01484 851747

• info@surgedevices.co.uk •

