

# 381649S Data Sheet

## Type 1,2&3 SPD

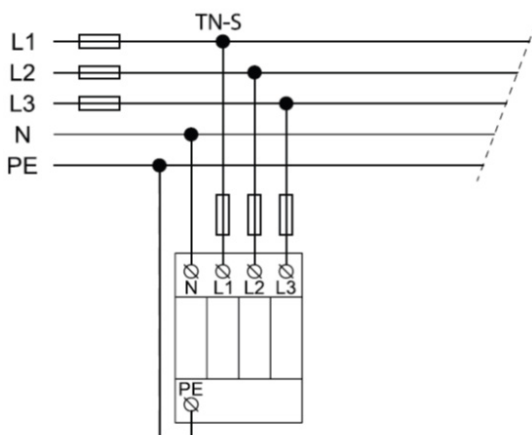
**SURGE**  
PROTECTION DEVICES  
LTD



- Compliant to BS EN 61643-11
- Suitable for TNC-S and TN-S installations
- Window indication
- Pluggable replacement modules
- Remote changeover contacts as standard
- Din rail mountable
- Recommended backup fuse / MCB 63A
- Recommended cable size minimum 16mm



SCAN THE QR CODE FOR THE  
**INSTALLATION  
INSTRUCTIONS**



Technical Data	381649S
Maximum Continuous Voltage - $U_c$	275V
Lightning Impulse Current 10/350 $\mu$ s - $I_{imp}$	12.5kA
Total Lightning Impulse Current 10/350 $\mu$ s - $I_{Total}$	50kA
Nominal Discharge Current 8/20 $\mu$ s - $I_n$	20kA
Maximum Discharge Current 8/20 $\mu$ s - $I_{max}$	50kA
Voltage Protection Level - $U_p$	$\leq 1.2kV$
Response Time - $t_a$	$\leq 25ns$
Tightening Torque	4Nm
Operating Temperature	-40°C to +80°C
Mounting On	35mm DIN rail
Indication of Status	Flag & Remote
Classification According to BS EN 61643-11	Type 1, 2 & 3

01484 851747

● info@surgedevices.co.uk ●

**SURGE**  
PROTECTION DEVICES  
LTD