

# 27053 Data Sheet

## Type 2/3 SPD

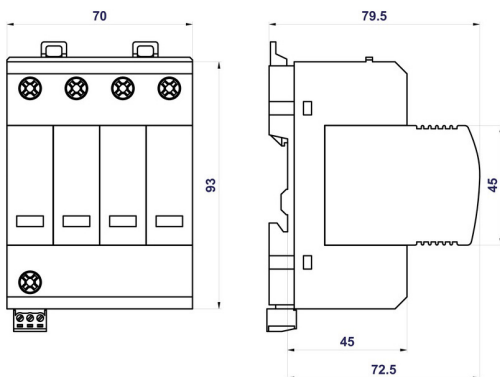
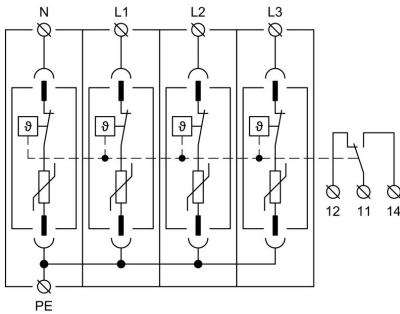
**SURGE**  
PROTECTION DEVICES  
LTD



- Compliant to BS EN 61643-11
- Suitable for TNC-S and TN-S installations
- Window Indication
- Pluggable replacement modules
- Remote changeover contacts as standard
- Din rail mountable
- Recommended backup fuse / MCB 32A
- Recommended cable size minimum 6mm



SCAN THE QR CODE FOR THE  
**INSTALLATION  
INSTRUCTIONS**



Technical Data	27053
Maximum Continuous Voltage - $U_c$	275V
Nominal Discharge Current 8/20 $\mu$ s - $I_n$	20kA
Maximum Discharge Current 8/20 $\mu$ s - $I_{max}$	50kA
Voltage Protection Level - $U_p$ @ $I_n$	$\leq 1.3kV$
Voltage Protection Level - $U_p$ @ 5kA	$\leq 1.00kV$
Response Time - $t_a$	$\leq 25ns$
Tightening Torque	4Nm
Operating Temperature	-40°C to +80°C
Dimensions	4 Modules
Mounting On	35mm DIN rail
Indication of Status	Flag & Remote
Classification According to BS EN 61643-11	Type 2/3