

27023 Data Sheet

Type 2/3 SPD

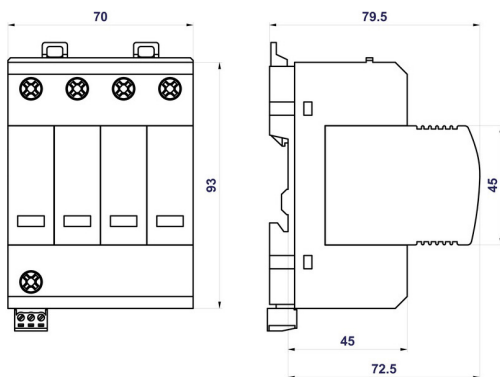
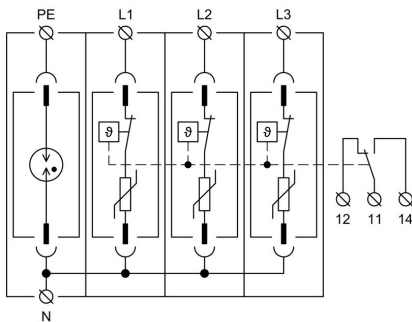
SURGE
PROTECTION DEVICES
LTD



- Compliant to BS EN 61643-11
- Suitable for TNC-S, TN-S and TT installations
- Window Indication
- Pluggable replacement modules
- Remote changeover contacts as standard
- Din rail mountable
- Recommended backup fuse / MCB 32A
- Recommended cable size minimum 6mm



SCAN THE QR CODE FOR THE
**INSTALLATION
INSTRUCTIONS**



Technical Data	27023
Maximum Continuous Voltage - U_c	275V
Nominal Discharge Current 8/20 μ s - I_n	20kA
Maximum Discharge Current 8/20 μ s - I_{max}	50kA
Voltage Protection Level - U_p @ I_n	$\leq 1.3kV$
Voltage Protection Level - U_p @ 5kA	$\leq 1.00kV$
Response Time - t_a	$\leq 25ns$
Tightening Torque	4Nm
Operating Temperature	-40°C to +80°C
Dimensions	4 Modules
Mounting On	35mm DIN rail
Indication of Status	Window & Remote
Classification According to BS EN 61643-11	Type 2/3

01484 851747

● info@surgedevice.co.uk ●

SURGE
PROTECTION DEVICES
LTD