

# 24610 Data Sheet

## Type 2/3 SPD 720V

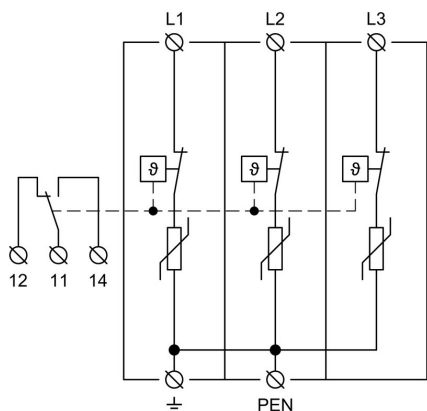
**SURGE**  
PROTECTION DEVICES  
LTD



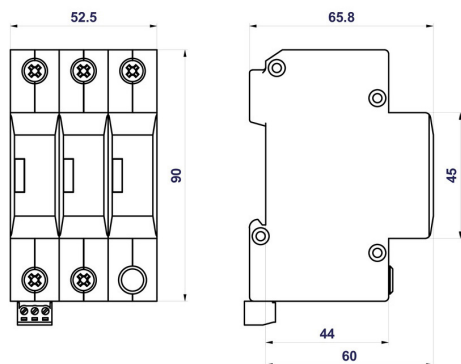
- Compliant to BS EN 61643-11
- Suitable for TNC installations
- Designed for 600V installations
- Three Pole
- Window indication
- Remote changeover contacts as standard
- Din rail mountable
- Recommended backup fuse / MCB 32A



SCAN THE QR CODE FOR THE  
**INSTALLATION  
INSTRUCTIONS**



Technical Data	24610
Rated Operating Voltage - $U_N$	600V
Maximum Continuous Voltage - $U_c$	720V
Nominal Discharge Current 8/20 $\mu$ s - $I_n$	15kA
Maximum Discharge Current 8/20 $\mu$ s - $I_{max}$	40kA
Voltage Protection Level - $U_p$ @ $I_n$	$\leq 2.6$ kV
Response Time - $t_a$	$\leq 25$ ns
Tightening Torque	3Nm
Operating Temperature	-40°C to +70°C
Dimensions	3 Modules
Mounting On	35mm DIN rail
Indication of Status	Flag & Remote
Classification According to BS EN 61643-11	Type 2/3



01484 851747

● info@surgedevelopments.co.uk ●

**SURGE**  
PROTECTION DEVICES  
LTD