

# 24014

## Type 2 690V SPD

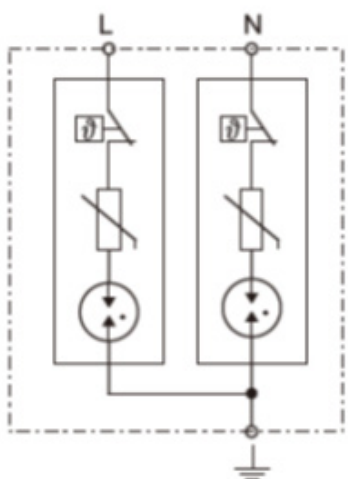
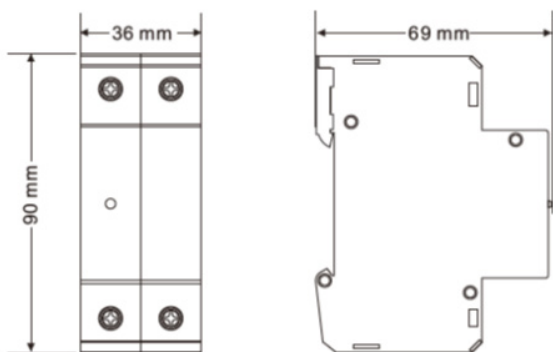
**SURGE**  
PROTECTION DEVICES LTD



- Compliant to BS EN 61643-11
- Suitable for TNC, TNS and TT installations
- 690V rating
- Single pole and neutral
- LED indication
- Earth leakage free
- Din rail mountable



SCAN THE QR CODE FOR THE  
**INSTALLATION  
INSTRUCTIONS**



Technical Data	24014
Maximum Continuous AC Voltage - $U_c$	690V
Maximum Continuous DC Voltage - $U_c$	895V
Nominal Discharge Current 8/20 $\mu$ s - $I_n$	20kA
Maximum Discharge Current 8/20 $\mu$ s - $I_{max}$	40kA
Voltage Protection Level - $U_p$ @ $I_n$	$\leq 3.2kV$
Response Time - $t_r$	$\leq 100ns$
Tightening Torque	3Nm
Operating Temperature	-40°C to +80°C
Dimensions	2 Modules
Mounting On	35mm DIN rail
Indication of Status	LED
Classification According to BS EN 61643-11	Type 2