

# 210030 Data Sheet

## Satalite Data BNC SPD

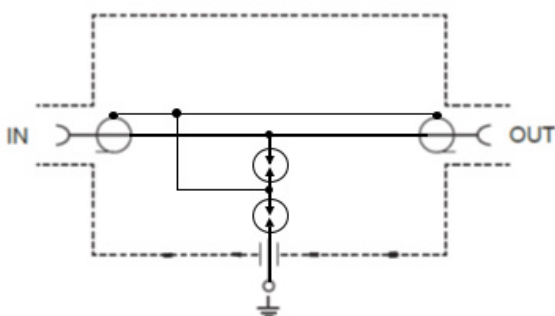
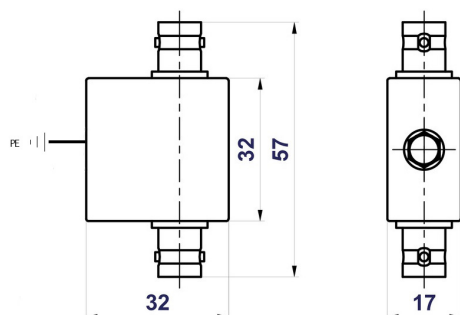
**SURGE**  
PROTECTION DEVICES  
LTD



- Data network protector to BS EN 61643-21
- Combined lightning and surge protection
- Designed for the protection of amplifiers and recievers
- Very low let through voltage
- BNC connections



SCAN THE QR CODE FOR THE  
**INSTALLATION  
INSTRUCTIONS**



Technical Data	210030
Nominal Voltage - $U_n$	70V DC
Lightning Impulse Current 10/350µs - $I_{imp}$	0.5kA
Nominal Discharge Current 8/20µs - $I_n$	10kA
Resistance - Z	75Ω
Voltage Protection Level - $U_p$ @ $I_n$	≤1.5kV
Voltage Protection Level - $U_p$ @ 1kV/µs	≤600V
Response Time - $t_A$	≤1ns
Bandwidth - $f_0$	300MHz
Frequency - f	0-862MHz
Input/Output Connections	BNC
Operating Temperature	-20°C to +65°C