

# 210020 Data Sheet

## Satalite Data F-Type SPD

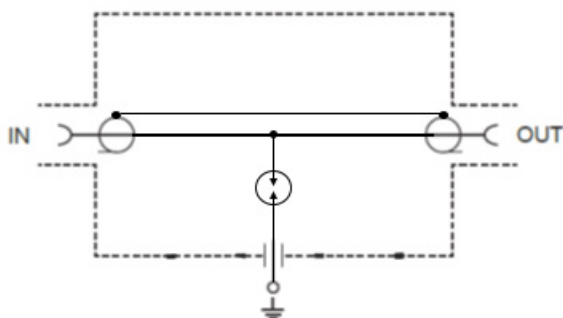
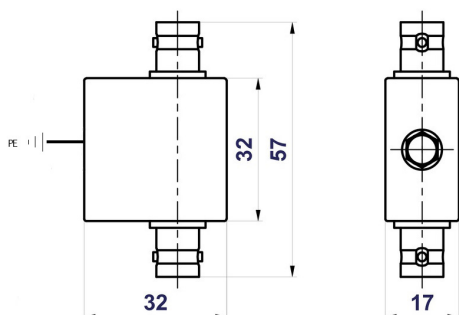
**SURGE**  
PROTECTION DEVICES  
LTD



- Data network protector to BS EN 61643-21
- Combined lightning and surge protection
- Designed for the protection of amplifiers and recievers
- Very low let through voltage
- F Type female to female connections



SCAN THE QR CODE FOR THE  
**INSTALLATION  
INSTRUCTIONS**



Technical Data	210020
Nominal Voltage - $U_n$	70V DC
Lightning Impulse Current 10/350 $\mu$ s - $I_{imp}$	0.5kA
Nominal Discharge Current 8/20 $\mu$ s - $I_n$	10kA
Resistance - Z	75 $\Omega$
Voltage Protection Level - $U_p$ @ $I_n$	$\leq 1.0kV$
Voltage Protection Level - $U_p$ @ 1kV/ $\mu$ s	$\leq 600V$
Response Time - $t_a$	$\leq 1ns$
Frequency @ 3dB - $f_s$	2050MHz
Frequency - f	0-2.15 GHz
Input/Output Connections	F Connections - Female/Female
Operating Temperature	-20°C to +65°C