

# 16049 Data Sheet

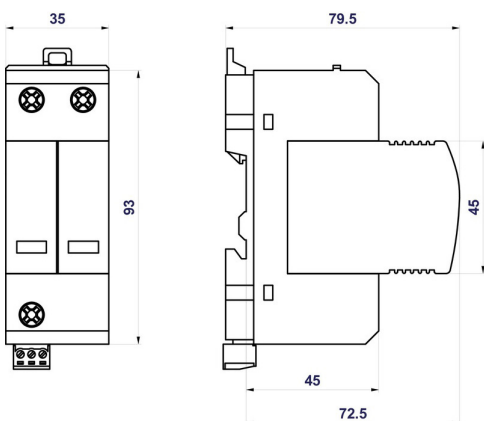
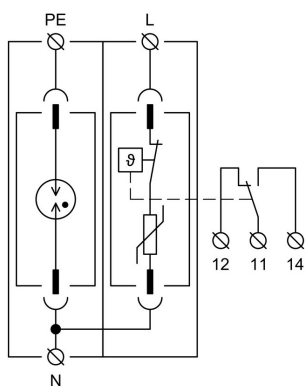
## Type 1,2&3 SPD



- Compliant to BS EN 61643-11
- Suitable for TNC-S, TN-S and TT installations
- Window Indication
- Pluggable replacement modules
- Remote changeover contacts as standard
- Din rail mountable
- Recommended backup fuse / MCB 63A
- Recommended cable size minimum 16mm



SCAN THE QR CODE FOR THE  
**INSTALLATION  
INSTRUCTIONS**



| Technical Data   | 16049          |
|--|----------------|
| Maximum Continuous Voltage - $U_c$                           | 275V           |
| Lightning Impulse Current 10/350 $\mu$ s - $I_{imp}$         | 12.5kA         |
| Total Lightning Impulse Current 10/350 $\mu$ s - $I_{Total}$ | 25kA           |
| Nominal Discharge Current 8/20 $\mu$ s - $I_n$               | 20kA           |
| Maximum Discharge Current 8/20 $\mu$ s - $I_{max}$           | 50kA           |
| Voltage Protection Level - $U_p$                             | $\leq 1.2kV$   |
| Response Time - $t_a$  | $\leq 25ns$    |
| Tightening Torque  | 4Nm            |
| Operating Temperature  | -40°C to +80°C |
| Mounting On  | 35mm DIN rail  |
| Indication of Status   | Flag & Remote  |
| Classification According to BS EN 61643-11                   | Type 1, 2 & 3  |