

10650/LED Data Sheet

Type 1,2&3 SPD

SURGE
PROTECTION DEVICES
LTD



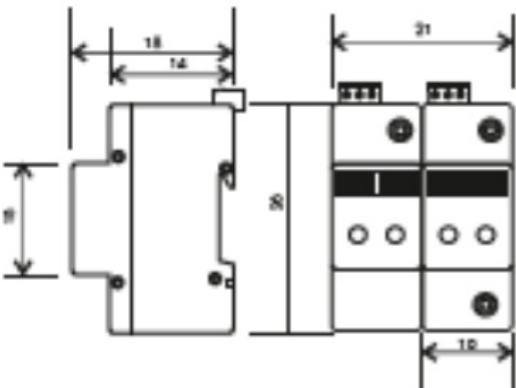
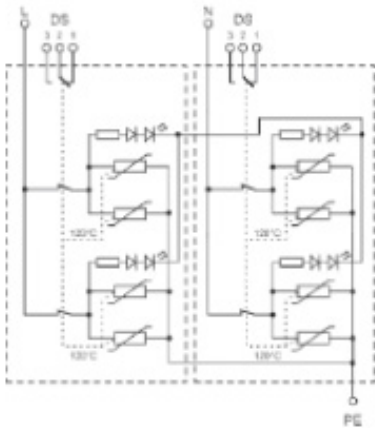
- Compliant to BS EN 61643-11
- Suitable for TNC-S and TN-S installations
- LED indication
- Remote changeover contacts as standard
- Din rail mountable
- Recommended backup fuse / MCB 63A
- Recommended cable size minimum 16mm



SCAN THE QR CODE FOR THE
**INSTALLATION
INSTRUCTIONS**



BLOCK DIAGRAM



Technical Data	10650/LED
Maximum Continuous Voltage - U_c	275V
Lightning Impulse Current 10/350 μ s - I_{imp}	25kA
Total Lightning Impulse Current 10/350 μ s - I_{Total}	50kA
Nominal Discharge Current 8/20 μ s - I_n	50kA
Maximum Discharge Current 8/20 μ s - I_{max}	120kA
Voltage Protection Level - U_p	≤ 1.2 kV
Response Time - t_a	≤ 25 ns
Tightening Torque	3Nm
Operating Temperature	-40°C to +80°C
Mounting On	35mm DIN rail
Indication of Status	LED & Remote
Classification According to BS EN 61643-11	Type 1, 2 & 3